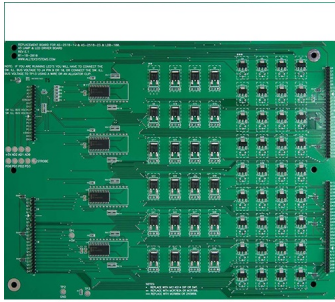


Alltek Ultimate Lamp Driver Board



Rating: Not Rated Yet

Price:

Sales price: \$119.95

Discount:

[Ask a question about this product](#)

Description

Product description text, likely containing technical specifications and details about the lamp driver board's functionality and compatibility.

Additional product information or notes, possibly related to shipping, warranty, or installation instructions.

Final section of product information or a disclaimer.

1

2

3

4

Reviews

There are yet no reviews for this product.